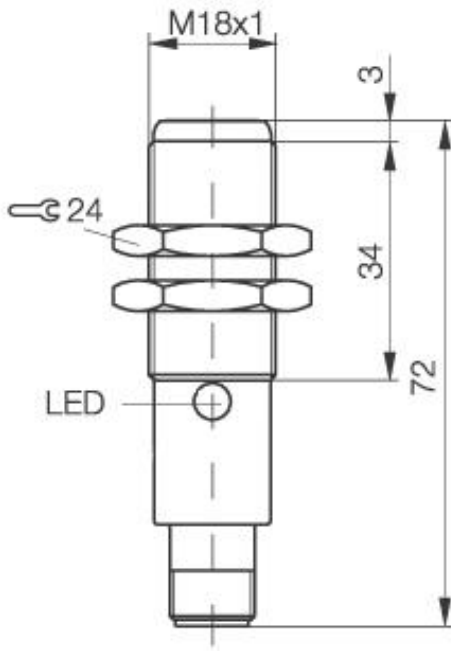


**Photoelectric Sensor  
BLS 18M-XX-1P-S 4-L  
Sn=16000mm  
through-beam**



PX1443

**Common Data**

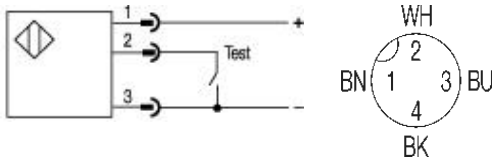
Series	18M
Sensortype	through-beam
Rated operating distance Sn in mm	16000
asured operating distance Sa	adjustable
Indication Supply Voltage	yes
Ambient temperature	-15...+55°C
On-delay	< 5ms
Off-delay	< 5ms
Light	Infrared

**Mechanical Data**

Measurements	M18x72
Housing material	nickel plated brass
Material of sensing face	Glass
Degree of protection	IP67
Connection	Connector S4 (M12)
Weigth	65g
Recommended connector	BKS-S20-2

**Electrical Data**

Current	DC
Rated operational voltage Ue	24V DC
Supply Voltage	10...30V DC
Ripple	< 10% from UB
Frequency of Supply Voltage	DC
No-load supply current	<25mA
Protected against polarity reversal	yes
Rated insulation voltage	75V DC



Utilization categories  
Insulation class

Datasheet number:

Definitions see general catalog.  
If not otherwise noted, ratings according to  
IEC 60947-5-2 (DIN EN60947-5-2)

Balluff GmbH  
Schurwaldstrasse 9  
73765 Neuhausen a.d.F.  
Phone (07158) 173-0 Fax (07158) 5010

Datenblatt by CD-ROM - 04/2007

